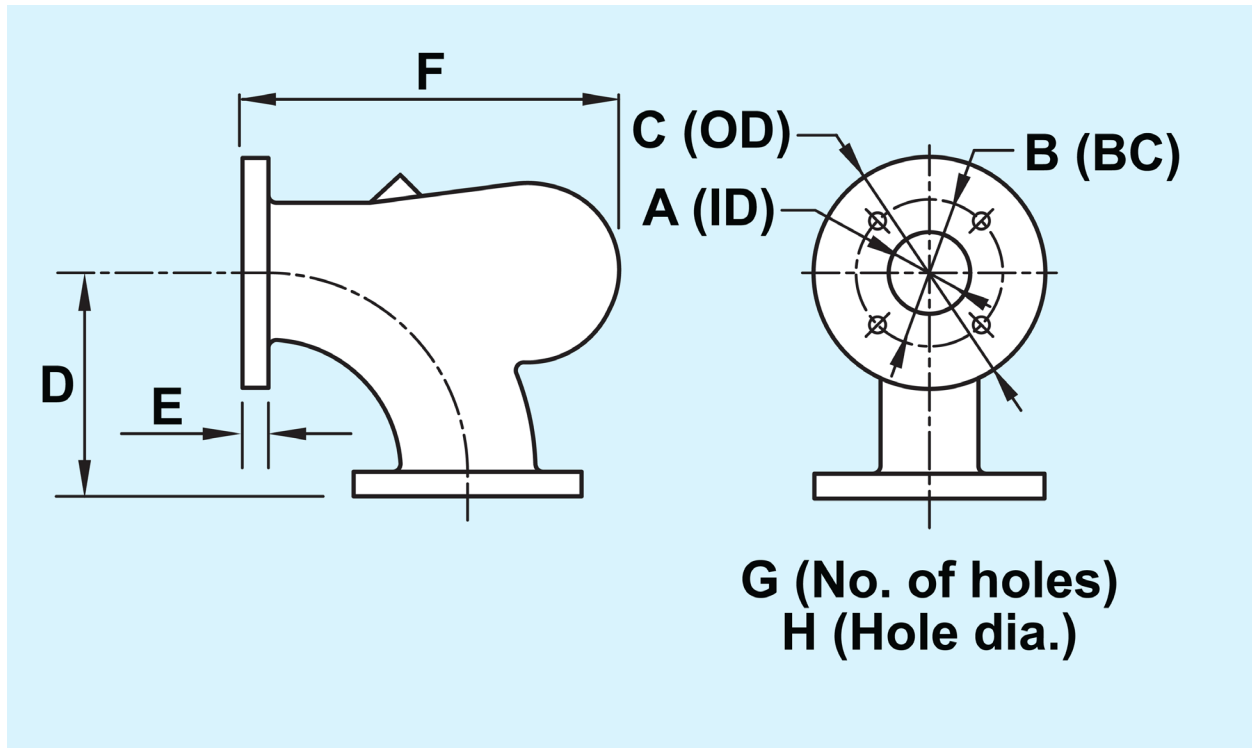


Flanged Deflection Elbows 90° 11 Gauge Tube Dimensions



Tube Size (in.)	2	2.5	3	3.5	4	4.5	5	6	8
A	1.75	2.25	2.75	3.26	3.75	4.25	4.75	5.75	7.75
B	4.75	5.50	6.00	6.00	7.00	7.50	8.50	9.50	11.75
C	6.00	7.00	7.50	7.50	8.50	9.00	10.00	11.00	13.50
D	6.50	7.00	7.75	7.50	8.50	8.94	10.25	11.50	14.25
E	0.63	0.69	0.75	0.75	0.94	1.00	0.94	1.00	1.13
F	9.00	10.13	11.13	12.25	13.91	14.88	18.06	21.13	27.63
G	4.00	4.00	4.00	4.00	8.00	8.00	8.00	8.00	8.00
H	0.75	0.75	0.75	0.75	0.75	0.75	0.88	0.88	0.88

Chamfering available to match 14, 16 or 18 gauge tubing