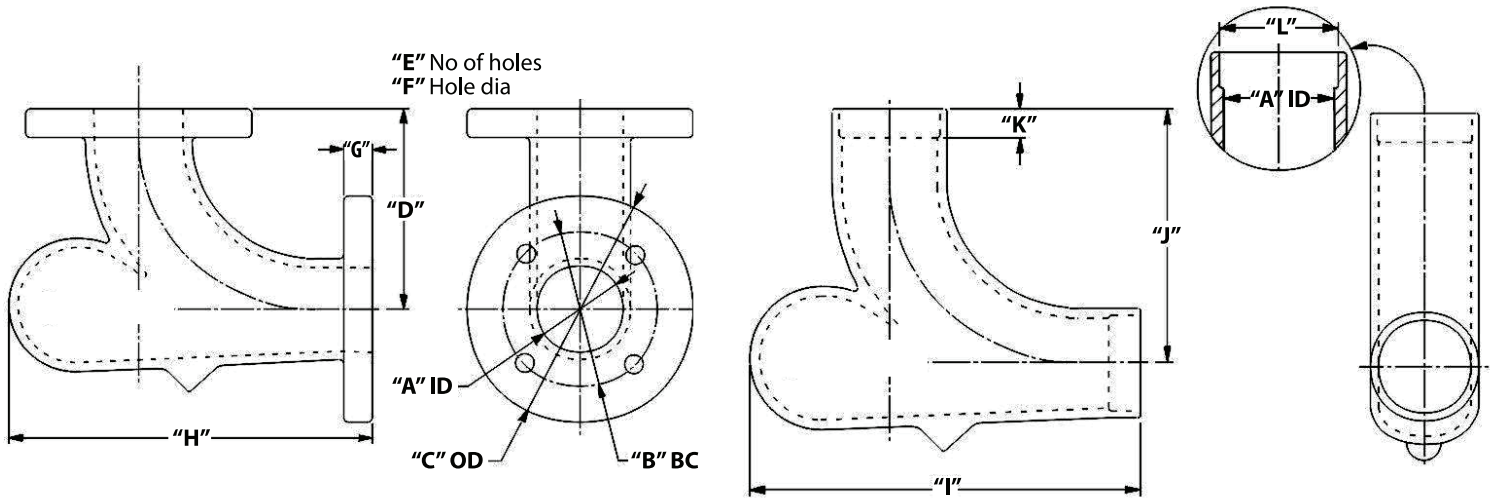




USA  
**HAMMERTEK CORPORATION**  
 2400 Emrick Boulevard  
 Bethlehem, PA 18020-8006  
 Toll: 1.800.505.9665  
 Tel: 1-610-814-2273  
 Fax: 1-610-814-0600  
 sales@hammertek.com  
 hammertek.com

AUSTRALIA  
**HAMMERTEK CORPORATION**  
 78 Westgate Street  
 Wacol, QLD 4076  
 Tel: +61 (0) 7 3360 8580  
 sales@hammertek.com.au  
 hammertek.com.au

## Smart Elbow® 90° Tube Dimensions



Tube Size	1.5"	1.75"	2"	2.25"	2.5"	3"	3.5"	4"	4.5"	5"	6"	8"
A	1.25	1.50	1.75	2.00	2.25	2.75	3.26	3.75	4.25	4.75	5.75	7.75
B	0.00	0.00	4.75	0.00	5.50	6.00	6.00	7.00	7.50	8.50	9.50	11.75
C	0.00	0.00	6.00	0.00	7.00	7.50	7.50	8.50	9.00	10.00	11.00	13.50
D	0.00	0.00	6.50	0.00	7.00	7.75	7.50	8.50	8.94	10.25	11.50	14.25
E	0.00	0.00	4.00	0.00	4.00	4.00	4.00	8.00	8.00	8.00	8.00	8.00
F	0.00	0.00	0.75	0.00	0.75	0.75	0.75	0.75	0.75	0.88	0.88	0.88
G	0.00	0.00	0.63	0.00	0.69	0.75	0.75	0.94	1.00	0.94	1.00	1.13
H	0.00	0.00	9.00	0.00	10.13	11.13	12.25	13.91	14.88	18.06	21.13	27.63
I	9.50	9.50	11.00	11.68	12.13	13.13	15.13	18.22	18.00	22.88	26.63	33.63
J	7.50	7.50	8.50	8.06	9.00	9.75	10.50	12.81	12.06	15.06	17.00	20.25
K	2.50	2.50	2.63	2.63	2.69	2.75	3.00	4.00	4.25	4.50	5.50	7.00
L	1.50	1.75	2.00	2.25	2.50	3.00	3.50	4.00	4.50	5.00	6.00	8.00